

Features

- Versatile rugged portable workstation
- 17" ultra high resolution 1920x1200, 16:10 display
- Supports Dual Intel Xeon® Quad-Core processors
- Optional touchscreen & keyboard
- 3x PCI-X plus 1x PCI-e (x8) or 4x PCI-e (x8) expansion slots
- Designed to meet MIL-STD 810F



Wide screen LCD display with rubber corners



4 full-length user accessible expansion slots



2x 2.5" removable HDD's



Optional front cover

Introduction

The Adamant product family is a versatile compact portable computer platform with multi expansion slots. The Adamant was designed with high mobility in mind and the option to install a variety of PCI-X and PCI-e add-on cards and more. With the latest high performance Quad-Core processors, large capacity storage, and strengthened capacitive touchscreen, the Adamant platform solution is the best choice for your mission critical applications.

The Adamant is constructed with aluminum with shock absorbing rubber corners. Like the rest of Acme portable platforms, the rugged structural design from our engineers has been proven to withstand some of the toughest environments. Shock, vibration and other critical environmental requirements have been thoroughly considered during our designing process. The Adamant outperforms the competition with power, flexibility and toughness.

Display

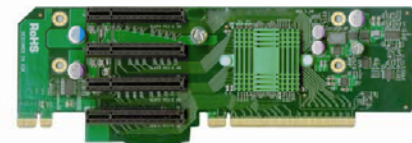
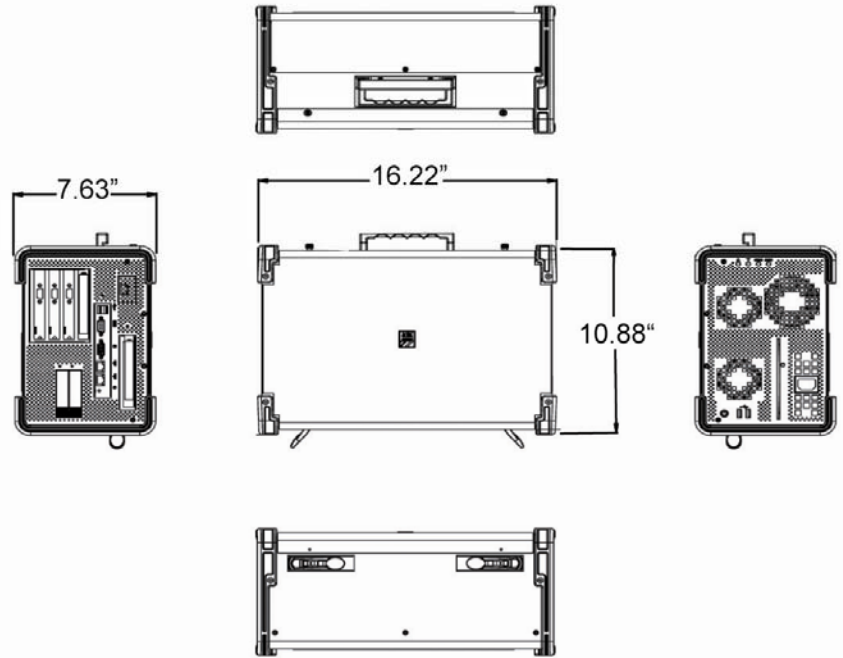
Diagonal	17", 16:10 Wide Display
LCD Resolution	1440 x 900 (1920 x 1200)
Brightness	400 nits
Contrast Ratio	600:1
Backlight MTBF	10K Hours

Compliance

Quality	ISO 9001
Approvals	CE, FCC, CCC, ROHS
Shock	Operating: 10g, 11ms, Half-Sine Non-Op: 30g, 11ms, Half-Sine
Vibration	Operating: 10-500Hz (0.4Grms) Non-Op: 10-500Hz (1.12Grms)

Specifications

Model	Adamant 5100
Chipset	Intel 5100
Slot	4x PCI-e (x8) or 3x PCI-X, 1x PCI-e (x8)
IDE	No
RAID Internal	Onboard 0/1/5/10
CPU	2x Intel Xeon L5410 2.33GHz (Quad Core)
Memory	8GB DDR2 ECC (max. 48GB)
Audio	NO
USB 2.0	4x external
LAN	2x Gb Intel 82573L
Power	400W, 110-220VAC, 50/60Hz
VGA	ATI ES1000
O/S	Windows 7
HDD	1x250GB SATA 2.5"
Optical	DVD-RW
Drive Bay	2x 2.5" Removable, 1x 2.5" Internal
Dimension / Weight	16.22"W x 10.88"H x 7.63"D / 19 LBs



4 x PCI-e



3 x PCI-X and 1 x PCI-e



Corporate Offices

ACME Headquarters-U.S.A.

ACME Portable Machines, Inc.
1330 Mountain View Circle, Azusa, CA 91702
Tel: (626) 610.1888 Fax: (626) 610.1881
www.acmeportable.com

Germany:

ACME Portable Computer GmbH
Kutschenweg 2 76287 Rheinstetten, Germany
Tel: 49 (0)721.570.453.0 Fax: 49 (0)721.570.453.29
www.acmeportable.de

Taiwan:

Acme Portable Corp.
5F, No. 25, Wu Chuan 3rd Road,
Wu-Ku Ind. Park, Taipei Hsien Taiwan
Tel: 886.2.2298.3636 Fax: 886.2.2298.3737
www.acmeportable.com.tw

China:

Shenzhen Acme Portable Co., LTD.
Acme Bldg. No. 3 Industrial Zone
Xinqiao Shajing Baoan Shenzhen, China 518125
Tel: 86.755.2746.0590 Fax: 86.755.2993.9900
www.acmeportable.com.cn

China:

Beijing Acme Portable Co., LTD.
1002 Xuezhixuan No.16 Xueqing Road
Haidian District Beijing, China 100083
Tel: 86.10.8275.5703 Fax: 86.10.8275.5704
www.acmeportable.com.cn

China:

Shanghai ACME
68, Lane 1500, KongJiang Road
YangPu District, ShangHai
TEL:86.21.5595.2616 FAX: 86.21.5595.2516
www.acmeportable.com.cn

