



## Features

- Portable series with slots and open bays
- ABS plastic exterior, aluminum inner
- Compatible with ATX and EATX motherboards
- Optimum space utilization
- Flexible integration solutions



Tiltable LCD Display



108 keys, multi-languages keyboard



Up to 7 slot expansion capability



Multiple open bays

## Introduction

With the ability to integrate standard PC peripherals and accommodate 7 full-size expansion cards, the Acme TAP portable computer is the most pragmatic solution for mobile applications requiring lots of room for expansion or storage. It is available with either 17" or 15" super TFT LCD screens for a truly rewarding viewing experience.

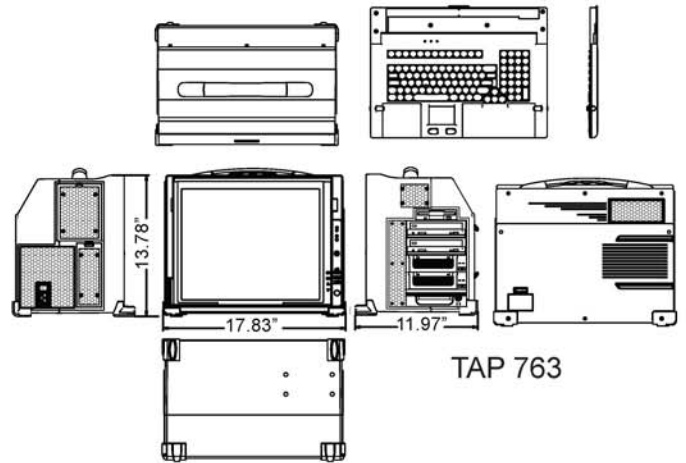
Carefully designed with the user in mind, this rugged and user-friendly platform can be used indoors or outdoors depending on the application requirement. It is an ideal portable for data acquisition, as a protocol analyzer, or high-speed telecommunication testing. The TAP model accepts either a standard ATX motherboard and offers a wide range of power sources for different application usages. The TAP lunchbox comes in a charcoal color; OEMs can apply the same stylish design of the TAP lunchbox for multiple end-products and use the different colors to visually distinguish the various products (custom color is available depending on quantity).



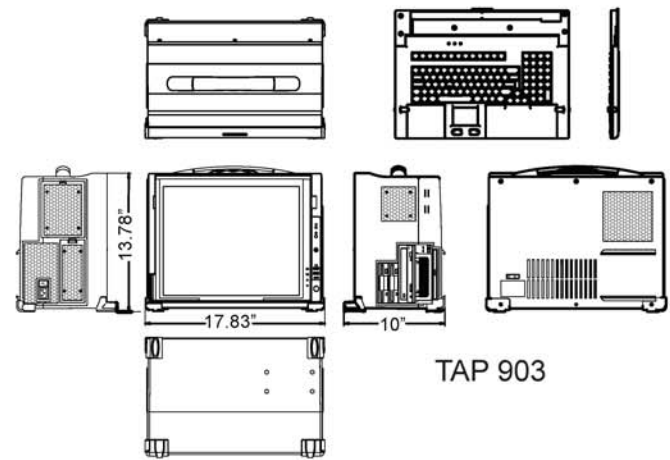
TAP 763



TAP 903



TAP 763



TAP 903

### Display

Diagonal	15" , 17"
LCD Resolution	1024x768 , 1280x1024
Brightness	300 nits
Contrast Ratio	500:1
Backlight MTBF	50K Hours

### Compliance

Quality	ISO 9001
Approvals	CE, FCC, CCC, ROHS
Shock	10G (TBD)
Vibration	1.0 Grms

### Specifications

Model	TAP 903	TAP 763
Slots	7	7
Digital Conversion Board	Built-in A/D conversion board DVI interface	Built-in A/D conversion board DVI interface
Active PFC Power	650W, 110/220V, 50/60Hz	650W, 110/220V, 50/60Hz
Drive Bays	2 x 5.25" 1 x 3.5" 1x Slim DVD-RW	1 x 5.25" 6 x 3.5" Removable kit 1 x Slim DVD-RW 1 x Slim FDD
Construction	External chassis - Flame retardant ABS plastic Internal chassis - Aluminum alloy frame	External chassis - Flame retardant ABS plastic Internal chassis - Aluminum alloy frame
Form Factor	ATX	ATX
Keyboard / mouse	Regular 105 keys with two button Touchpad	Regular 105 keys with two button Touchpad
Speaker	Built-In amplified speakers	Built-In amplified speakers
Carrying Case	Padded carrying case with wheels	Padded carrying case with wheels
Dimension / Weight	17.83"W x 13.78"H x 10"D / 25 LBs	17.83"W x 13.78"H x 11.97"D / 27 LBs

### Corporate Offices

#### ACME Headquarters-U.S.A.

ACME Portable Machines, Inc.  
1330 Mountain View Circle, Azusa, CA 91702  
Tel: 1.626.610.1888 Fax: 1.626.610.1881  
www.acmeportable.com

#### China:

Shenzhen Acme Portable Co., LTD.  
Acme Bldg. No. 3 Industrial Zone  
Xinqiao Shajing Baoan Shenzhen, China 518125  
Tel: 86.755.2746.0590 Fax: 86.755.2993.9900  
www.acmeportable.com.cn

#### Germany:

ACME Portable Computer GmbH  
Kutschenweg 2 76287 Rheinstetten, Germany  
Tel: 49 (0)721.570.453.0 Fax: 49 (0)721.570.453.29  
www.acmeportable.de

#### China:

Beijing Acme Portable Co., LTD.  
1002 Xuezhixuan No.16 Xueqing Road  
Haidian District Beijing, China 100083  
Tel: 86.10.8275.5703 Fax: 86.10.8275.5704  
www.acmeportable.com.cn

#### Taiwan:

Acme Portable Corp.  
5F, No. 25, Wu Chuan 3rd Road,  
Wu-Ku Ind. Park, Taipei Hsien Taiwan  
Tel: 886.2.2298.3636 Fax: 886.2.2298.3737  
www.acmeportable.com.tw

#### China:

Shanghai ACME  
68, Lane 1500, KongJiang Road  
YangPu District, Shanghai  
TEL:86.21.5595.2616 FAX: 86.21.5595.2516  
www.acmeportable.com.cn

