

Support ATX motherboard, offer 7 full-size expansion slots



Specification

Model	TAP 713	TAP 763
Motherboard	ATX Motherboard	
Slot	7 expansion slots	
Drive Bay	3 x 5.25", 2 x 3.5"	5 x 5.25", 1 x 3.5"
LCD Size	Anti-glare glass protect LCD Monitor 15" Tilt, 250 nits brightness, 1024x768 17" Tilt, 300 nits brightness, 1280x1024	
Keyboard/Mouse	105 keys, multi-languages/touchpad, PS/2 connector	
Case Size	453mm x 350mm x 304 mm	
Power Supply	PS2 650 W, Auto Switch	
SKD Weight	12.2 kgs (27.0 lbs)	
Speaker	Built-in amplified speakers Amplified board output: 2 x 6 Watt Stereo Dual Speaker output: 2 Watt	
Carrying Case	Padded carrying case with wheels	
Cooling Fan	1 x 60mm x 60mm x 15mm (chassis fan) 2 x 40mm x 40mm x 20mm (chassis fan) 1 x 60mm x 60mm x 15mm (back cover)	
Case	External chassis-frame retardant ABS plastic Internal chassis-gold color aluminum alloy	

Features

- Built-in 15" or 17" TFT LCD Monitor
- Anti-glare glass protect LCD Monitor
- Rugged construction for harsh environment operation
- Offer 7 full-size slots expansion capability
- PS/2 650W power supply, auto switch
- Carrying bag to manage portable PC with ease

Ordering Information

● TAP 713
15" or 17" LCD, 7 slots, keyboard with Touchpad, 3x5.25"/2x3.5" Drive bays, 650W PSU, Carrying bag

● TAP 713
15" or 17" LCD, 7 slots, keyboard with Touchpad, 5x5.25"/1x3.5" Drive bays, 650W PSU, Carrying bag

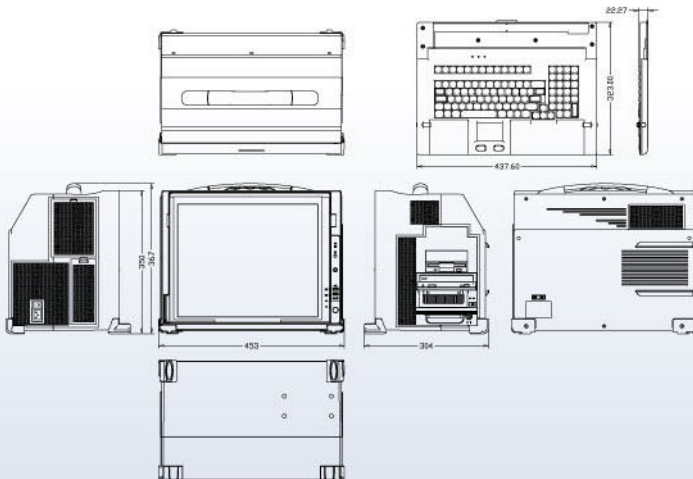
Option:

- 15" LCD Monitor, 1400x1050 Resolution
- Sunlight readable LCD Monitor
- Touch screen

Mechanical/Environmental

Operating Temp.	0°C-50°C
Relative Humidity	20-80% (non-condensing)
Operating Shock	15g
Operating Vibration	10-100Hz 1.25g
Approval	CE, FCC, CCC, RoHS

TAP 713



TAP 763

