

Comrade 480

Rugged COTS Solution



Features

- Ultra rugged portable workstation
- 17" ultra high resolution 1920x1200, 16:10 display
- Up to 4 full length expansion slots
- Supports Intel Core™ 2 Duo_R
- Tested to meet MIL-STD 810F



Aluminum alloy with rubber corners



2 open 5.25" storage bays



Standard keyboard with 2-button touchpad



4 slots expansion capability

Introduction

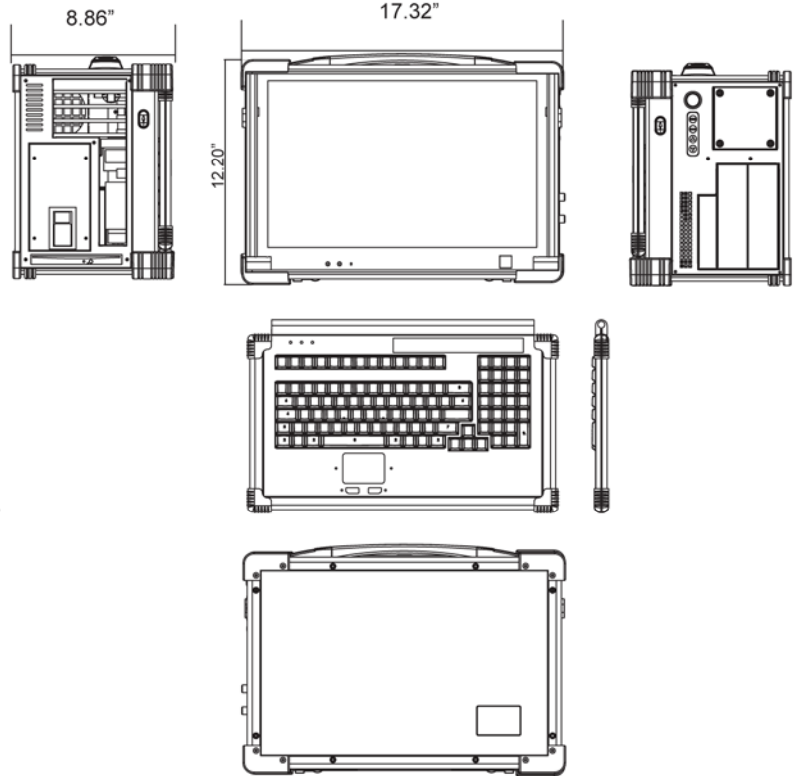
The Comrade product family is a robust lunchbox computer built using heavy duty sheet metal to provide tough, go-anywhere unit suitable for harsh environments and mission critical applications. With multiple expansion slot options to choose from, the Comrade can be freely configured with other uniquely designed add-on cards for various applications.

To meet the harsh environment operations, the LCD screen of the Comrade is guarded with a specially treated anti-glare tempered glass for added protection. Every Comrade comes equipped with dual system cooling fans and easy access to its expansion slots for immediate system upgrade or maintenance. Functional practicality combined with the rugged construction, the Comrade is the most cost-effective and durable and versatile portable platform for your mission critical applications.



Comrade 480

Rugged COTS Solution



Display

Diagonal	
LCD Resolution	17", 16:10 Wide Display
Brightness	1440 x 900 (1920 x 1200)
Contrast Ratio	300 nits
Backlight MTBF	500:1
	50K Hours

Compliance

Quality	ISO 9001
Approvals	CE, FCC, CCC, ROHS
Shock	Operating: 10g, 11ms, Half-Sine Non-Op: 30g, 11ms, Half-Sine
Vibration	Operating: 10-500Hz (0.4Grms) Non-Op: 10-500Hz (1.12Grms)

Specifications

Model	Comrade 480
Chipset	Intel Q57 Chipset
Slot	1x PCIe x16 (Used if using i7 860) 1x PCIe x4 1x PCIe x1 1x PCI
IDE	1x
RAID Internal	Yes (0, 1, 5, 10)
CPU	Intel i7 860 (2.8GHz Quad Core) or Intel i5 660 (3.33GHz Dual Core)
Memory	4GB DDR3 Memory
Audio	7.1 Channel Audio
USB 2.0	14x USB 2.0 Port
LAN	Dual Intel Gigabit Ethernet
Power	650W, 110-220VAC, 50/60Hz
VGA	Intel GMA Q35 (RGB)
HDD	6x SATA Port (2 Used) 1x 250GB 2.5" SATAII HDD
Optical	DVD-RW (IDE)
Drive Bay	nVidia 9400GT (Used if using i7 860) or Intel HD Gfx (Used if using i5 660)
Video	2 x 5.25" + 1 x 3.5" open
O/S	Windows 7 Pro
Dimension / Weight	12.20"H x 17.32"W x 8.86"D / 26 LBs

Corporate Offices

ACME Headquarters-U.S.A.

ACME Portable Machines, Inc.
1330 Mountain View Circle, Azusa, CA 91702
Tel: 1.626.610.1888 Fax: 1.626.610.1881
www.acmeportable.com

China:

Shenzhen Acme Portable Co., LTD.
Acme Bldg. No. 3 Industrial Zone
Xinqiao Shajing Baoan Shenzhen, China 518125
Tel: 86.755.2746.0590 Fax: 86.755.2993.9900
www.acmeportable.com.cn

Germany:

ACME Portable Computer GmbH
Kutschenweg 2 76287 Rheinstetten, Germany
Tel: 49 (0)721.570.453.0 Fax: 49 (0)721.570.453.29
www.acmeportable.de

China:

Beijing Acme Portable Co., LTD.
1002 Xuezhixuan No.16 Xueqing Road
Haidian District Beijing, China 100083
Tel: 86.10.8275.5703 Fax: 86.10.8275.5704
www.acmeportable.com.cn

Taiwan:

Acme Portable Corp.
5F, No. 25, Wu Chuan 3rd Road,
Wu-Ku Ind. Park, Taipei Hsien Taiwan
Tel: 886.2.2298.3636 Fax: 886.2.2298.3737
www.acmeportable.com.tw

China:

Shanghai ACME
68, Lane 1500, KongJiang Road
YangPu District, ShangHai
TEL:86.21.5595.2616 FAX: 86.21.5595.2516
www.acmeportable.com.cn

